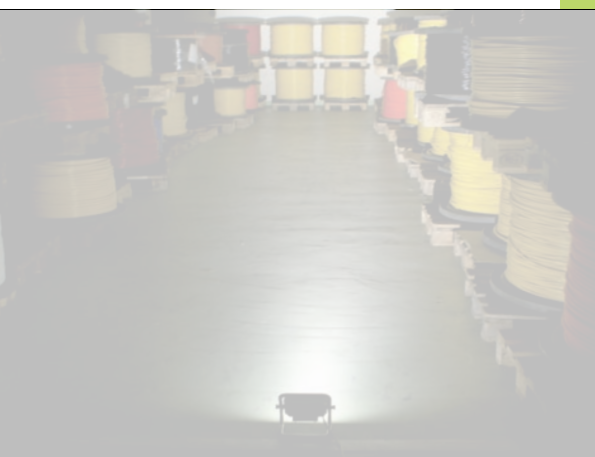


YOUR WISH IS OUR COMMAND

SpotLED 230

SPOTLIGHT

PRODUCT INFORMATION



GIFAS
ELECTRIC

09 | 7

SpotLED 230V

Buildings, advertising spaces or industrial areas - SpotLED 230 is putting your objects into focus and provide an optimal, energy-saving illumination. SpotLED 230 needs less than 30Watt to bath the environment in dazzling light. 8 PowerLED´s used as illuminant enable this unbelievable efficiency. The LED spotlight is mounted on a slewable fixing bracket, optional mounting on a Mobilight pedestal available. The slewable construction can be easily fixed with two screws. The spotlight is perfect for combination with motion sensors. The optimal cooling is granted by big cooling fins at the back side of the lamp.

Technical Data

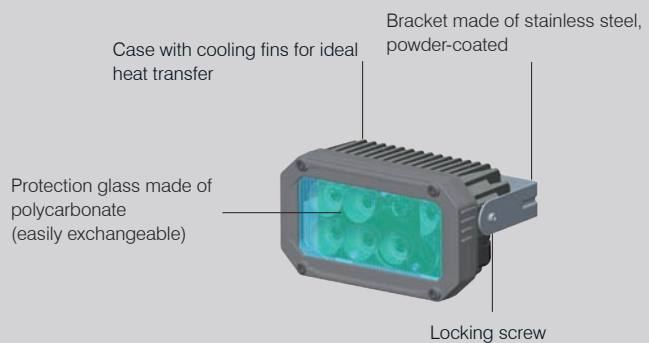
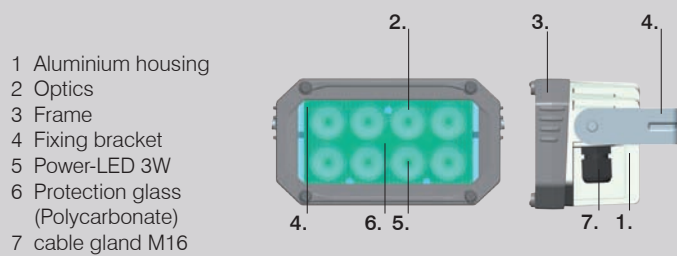
- Rated supply voltage: 230VAC/50Hz
- Current demand: 120mA
- Illuminant: 8 Power LED à 3W
- IP rating: IP66
- Protection class: I
- Surface temperature: < 50°C
- Weight: 1'000g

Product features

- Wall fastening possible
- Can be used as a stand light.
- LED: 8 x Power-LEDs
- Optics: 8 x optics, 10°/38°
- Electronics: Within the main case
- Case temperature: < 50°C at 20°C surrounding temperature
- Material lamp: aluminium / plastics
- Cable entry: 2 cable glands M16 to loop, via junction box
- Fixing bracket: stainless steel, powder-coated



Construction SpotLED



Dimming

The spotlight can be dimmed with most of common phase angle control dimmers.

Light Colours

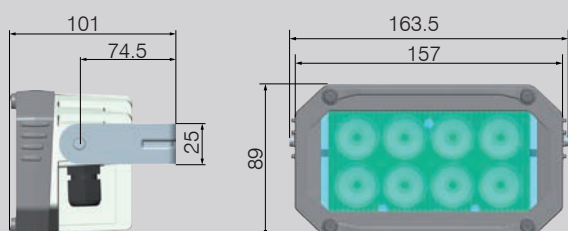
Standard light colours are cool white (5'700 - 7'000K) and comfort white (3'700 - 4'300K).

Optics

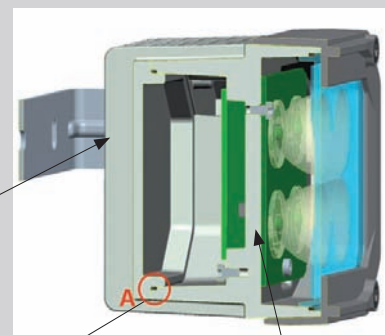
3 different, optics (10°, 28° and 38°) are available.

Over temperature protection

Temperature of the LEDs is monitored. If temperature reaches a specified maximum LED temperature, brightness will be automatically reduced. If temperature decreases under the maximum specified LED temperature brightness will be automatically adjusted to the set value.

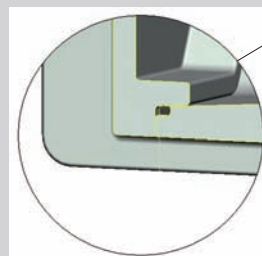


Profile and Sealing

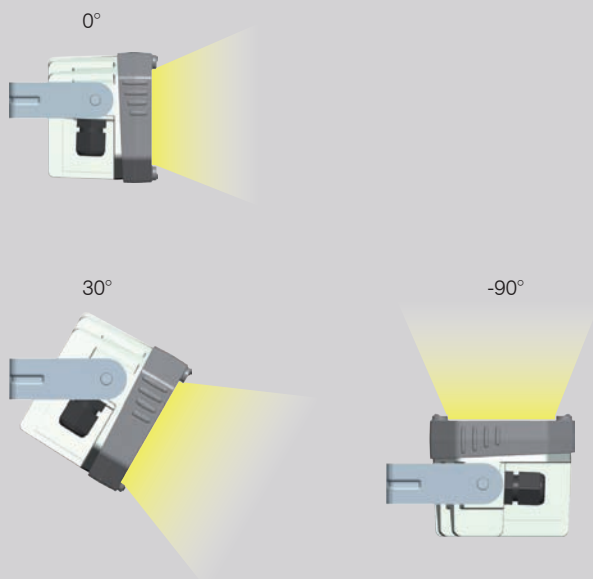


Cooling fin to maintain the temperature below 50°C

Sealing Detail A



Back side with strengthened wall thickness to grant an improved heat transfer.



Accessories



SpotLED with cable connection incl. bracket



Product range

Description	8x10°	8x28°	8x38°	Power	Power Consumption
Warm white 2'800-3'300K					
SpotLED 230V, incl. 1x cable gland M16, 1x blind plug	111107	110730	111111	8x3W	110mA
SpotLED 230V, incl. 1x cable gland M16, 1x blind plug, 5m cable 3x1mm ² , plug T12	111114	110732	111118	8x3W	110mA
SpotLED 230V, incl. 1x cable gland M16, 1x blind plug, 10m cable 3x1mm ² , plug T12	111121	110734	111125	8x3W	110mA
SpotLED 230V, incl. 0.2m cable 3x1mm ² incl. coupling T13, 4.8m cable 3x1mm ² incl. plug T12	111128	110738	111132	8x3W	110mA
Comfort white 3'700-4'300K					
SpotLED 230V, incl. 1x cable gland M16, 1x blind plug	111105	109997	111110	8x3W	110mA
SpotLED 230V, incl. 1x cable gland M16, 1x blind plug, 5m cable 3x1mm ² , plug T12	111113	110731	111117	8x3W	110mA
SpotLED 230V, incl. 1x cable gland M16, 1x blind plug, 10m cable 3x1mm ² , plug T12	111120	110733	111124	8x3W	110mA
SpotLED 230V, incl. 0.2m cable 3x1mm ² incl. coupling T13, 4.8m cable 3x1mm ² incl. plug T12	111127	110737	111131	8x3W	110mA
Cool white 5'700-7'000K					
SpotLED 230V, incl. 1x cable gland M16, 1x blind plug	111104	111108	111109	8x3W	110mA
SpotLED 230V, incl. 1x cable gland M16, 1x blind plug, 5m cable 3x1mm ² , plug T12	111112	111115	111116	8x3W	110mA
SpotLED 230V, incl. 1x cable gland M16, 1x blind plug, 10m cable 3x1mm ² , plug T12	111119	111122	111123	8x3W	110mA
SpotLED 230V, incl. 0.2m cable 3x1mm ² incl. coupling T13, 4.8m cable 3x1mm ² incl. plug T12	111126	111129	111130	8x3W	110mA

Accessories

Description	Item No.
Pedestal complete incl. 2 wingnuts, other fittings (Schuko e.g.) on request	110743
Wingnut M4x20mm	110922
Holder protection	111096

We reserve the right to make technical modifications. V 1511